

Sigfox OZONE Sensor WSSFC-G4-O3

SKU: WSSFC-G4-O3

Doc No: WSSFC-G4-O3-DS-EN-10

Introduction

WSSFC-G4-O3 is a Sigfox sensor with a built-in high performance electrochemical gas sensor to measure the concentration of Ozone (O₃) in the air. With Ultra-low power design and smart firmware allow the complete Wireless and Sensor package run on 2 x AA battery 1.5V for 2-5 years with 15 minutes update. It can support the following regions RC1, RC2, & RC4.

- High stability Electrochemical sensor ;
- Sigfox Ready;
- 2-5 years battery life with 15 minutes update;
- Plug & Play.

Typical Applications

- Monitor the concentration of Ozone gas (O₃) in the air.

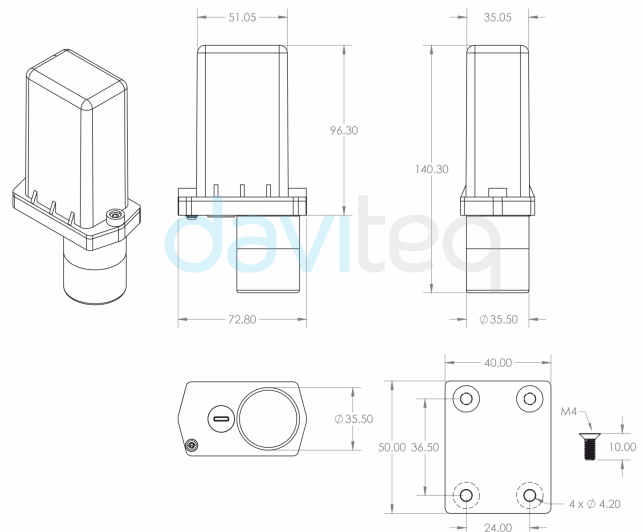
SIGFOX OZONE SENSOR
WSSFC-G4-O3



WSSFC-G4-O3-H1.PNG



DIMENSION DRAWING OF WIRELESS SENSOR
(Unit: mm)



WSSFC-G4-O3-H2.PNG

Monitor the concentration of Ozone gas (O₃) in the air



WSSFC-G4-O3-H3.PNG

Interfering Gas	Concentration [ppm]	Reading [ppm]
C ₂ H ₄	100	0
CH ₂ O	7	0
Cl ₂	5	4
CO	100	0
Ethanol (C ₂ H ₅ OH)	60	0
H ₂	100	0
H ₂ S	20	< -20
HCl	20	0
NH ₃	80	0
NO	50	0
NO ₂	5	~ 5
SO ₂	5	0

Specification

SENSOR SPECIFICATION	
Measurement Range	Select: 0 to 5 or 100 ppm of O ₃
Detection Limit	1 ppb
Resolution	1 ppb
Repeatability	< ± 2 % of reading
Response Time	T(90) < 60 seconds
Expected Sensor Life	02 years in normal Air
Expected Long Term Output Drift in air	< 2 % signal loss per month
Operating Temperature Range	-40 to 50 °C
Operating Humidity Range	non-condensing 15 to 90% recommended continuous 0 to >95% RH - intermittent
SIGFOX SPECIFICATION	
Sigfox zones	select RC1-RC2-RC4
Antenna	Internal Antenna 2 dbi
Configuration	via Downlink or offline USB cable (PC software is supplied at free)
Battery	02 x AA Type 1.5VDC
RF Module complies to	CE, FCC, ARIB
Working temperature	-40°C..+60°C (using Energizer Lithium Ultimate AA battery)
Dimensions	H140xW73xD42
Net-weight	250 grams
Housing	Polycarbonate, IP67

Mounting	Wall mount bracket
----------	--------------------

Ordering Code

Item code	Descriptions
WSSFC-G4-03-5-01	SIGFOX OZONE GAS SENSOR MODULE, 0-5 PPM, 1PPB RESOLUTION, 4-SERIE, BATTERY 1.5V, IP67, FOR RC1-RC2-RC4 ZONES

▲ Link for full datasheet: <https://filerun.daviteq.com/wl/?id=DEM7XrPnDg4eo1P5cp62WwjNow148TWw>

▲ Link for manual:

daviteq

Daviteq Technologies Inc



www.daviteq.com



info@daviteq.com