

SIGFOX-READY NH3 AND H2S SENSOR FOR TOILET

SKU: WSSFC-G4F-NH3

SIGFOX-READY AMMONIA TOILET SENSOR WSSFC-G4F-NH3



WSSFC-G4F-NH3-H1.JPG



WSSFC-G4F-NH3 is a Sigfox-ready sensor with a built-in advanced gas sensor to measure the concentration of Ammonia NH₃ and H₂S to help assess odors in the Toilet. With a special design that increases the sensitivity of the sensor, even though it is mounted on the ceiling at a distance of up to 2.6m. The sensor has an ultra-low-power design and smart firmware that allows the sensor to run on 2 x 1.5VDC AA batteries for 2-5 years with 15 minutes of updating. The sensor supports Sigfox network regions of the world, RC1, RC2, and RC4.

Typical application: Odor monitoring in private or public restrooms, toilets, and WC, helps to manage optimal cleaning staff.

- ✓ **HIGH SENSITIVITY**
Special design to get high sensitivity even the sensor is mounted on ceiling up to 2.6m
- ✓ **ANTI-TAMPERING**
Allow mounting the sensor on ceiling or high wall to prevent tampering
- ✓ **SIGFOX-READY**
For Sigfox zone RC1, RC2, and RC4
- ✓ **ULTRA-LOW-POWER DESIGN**
Allow the sensor to run in 2-5 years with 2 x AA batteries



WSSFC-G4F-NH3-H2.JPG

DAVITEQ TECHNOLOGIES INC

No.11 Street 2G, Nam Hung Vuong Res., An Lac Ward, Binh Tan Dist., Ho Chi Minh City, Vietnam
+84.28.6268.2523 / 6268.2524
info@daviteq.com

www.daviteq.com

DEC-2021 | Doc No: WSSFC-G4F-NH3-DS-EN-10

SPECIFICATION

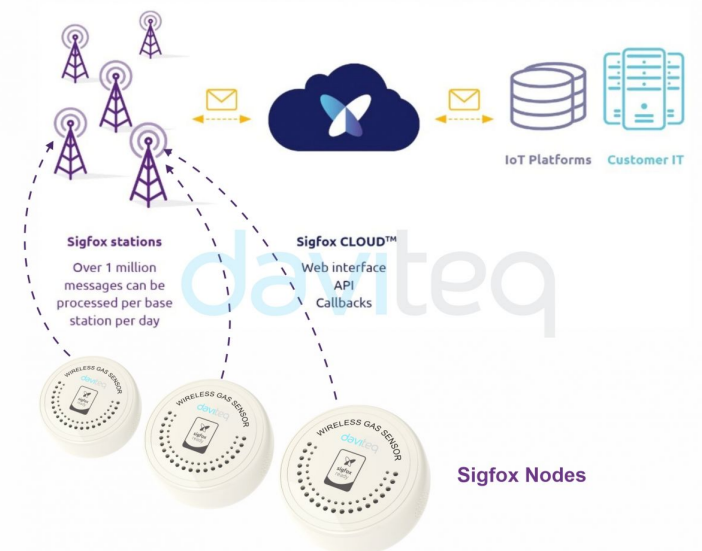
Sensor type	High sensitive electrochemical type sensor, built-in auto-sampling mechanism
NH3 range	0..100 ppm (or equivalent 0..285.7 ppm H2S)
NH3 tolerance limit	200 ppm
Repeatability / Resolution / Stability per month	< 3% of reading / 0.1 ppm / < 1% of reading/month
Zero-point stability	+/- 0.3 ppm
Ambient pressure	101.3 Kpa +/- 10%
Sensor life	2 years, in clean air
Working temperature	-10 .. + 50°C
Working humidity	15.. 90% RH
SIGFOX SPECIFICATIONS:	
Sigfox region supports	RC1, RC2, and RC4
Antenna	Internal antenna 2dbi
Configuration	Via Downlink or USB cable (software on PC provided free of charge)
Battery	02 x AA size 1.5VDC, battery not included
RF module	Complied to CE, FCC, ARIB standards
Electronics	-40°C..+60°C (AA Energizer Lithium Ultimate battery installed)
Case/protection grade	ABS, indoor use, do not spray water directly on the device
Dimensions/Weight	Diameter 95mm x Height 40mm / < 250g

INTERFERENCE GASES

Interfering Gas	Concentration [ppm]	Reading [ppm]
Cl ₂	20	-55
CO	300	0
CO ₂	20000	0
H ₂	200	0
H ₂ S	20	7
NO	20	-1
NO ₂	20	-20
SiH ₄	10	0
SO ₂	20	-7

WSSFC-G4F-NH3-H3.JPG

SYSTEM ARCHITECTURE



WSSFC-G4F-NH3-H4.JPG

DAVITEQ TECHNOLOGIES INC

No.11 Street 2G, Nam Hung Vuong Res., An Lac Ward, Binh Tan Dist., Ho Chi Minh City, Vietnam

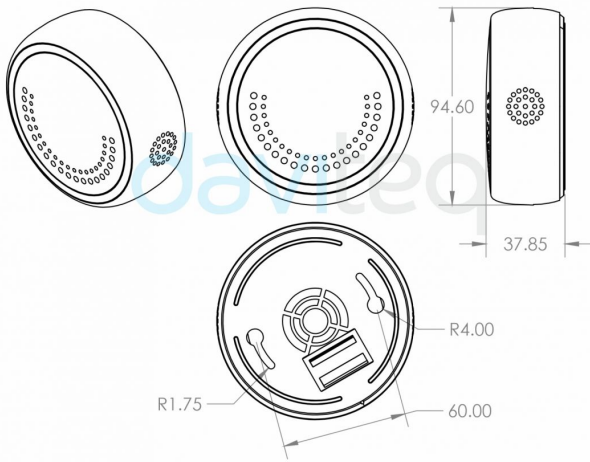
+84.28.6268.2523 / 6268.2524

info@daviteq.com

www.daviteq.com

DEC-2021 | Doc No: WSSFC-G4F-NH3-DS-EN-10

DIMENSION DRAWING OF WIRELESS SENSOR
(Unit: mm)



WSSFC-G4F-NH3-H5.JPG

RECOMMENDED BATTERIES

E91 AA Alkaline battery



- 18 .. + 60 oC working temperature
- 10-year shelf life
- 3000 mAh Capacity
- Price: 1X

WSSFC-G4F-NH3-H6.JPG

L91 AA Lithium battery



- 40 .. + 60 oC working temperature
- 20-year shelf life
- 3500 mAh Capacity
- Price: 3.5X

ORDERING INFORMATION

WSSFC-G4F-NH3-8	SIGFOX-READY AMMONIA GAS SENSOR, 0-100PPM, CEILING MOUNT, TYPE AA BATTERY 1.5VDC, RC1 ZONE
WSSFC-G4F-NH3-9	SIGFOX-READY AMMONIA GAS SENSOR, 0-100PPM, CEILING MOUNT, TYPE AA BATTERY 1.5VDC, RC2-RC4 ZONES

DAVITEQ TECHNOLOGIES INC

No.11 Street 2G, Nam Hung Vuong Res., An Lac Ward, Binh Tan Dist., Ho Chi Minh City, Vietnam

+84.28.6268.2523 / 6268.2524

info@daviteq.com

www.daviteq.com

DEC-2021 | Doc No: WSSFC-G4F-NH3-DS-EN-10

4/4