

SIGFOX ULTRASONIC LEVEL SENSOR FOR TRASH BIN

daviteq

SKU: WSSFC-ULB

SIGFOX ULTRASONIC LEVEL SENSOR FOR TRASH BIN WSSFC-ULB



WSSFC-ULB-H1.JPG

WSSFC-CAP10 is a Sigfox ultrasonic level sensor to measure solid surface level in trash bin for waste management systems ... This level sensor uses ultrasonic technology to measure the solid surface of waste, the principle is to measure the time of flight of the ultrasound pulse in the air environment. The ultrasound pulse will be ejected from ultrasonic transducer, go thru the air and reach the solid surface of the waste, then reflected back to the ultrasonic transducer, the measuring circuit will measure the flight time of the pulse then calculated distance from the transducer to the surface. Ultra-low power design and smart firmware allow the complete Wireless and Sensor package to run on 2 x AA battery 1.5V for 5 years (depending on configuration). It can support the following regions RC1, RC2, & RC4.

Typical Applications: Monitoring the level of trash in the trash bin, solid waste & recycling facility,...



SIGFOX READY

Device are best operating performance on the SIGFOX network



ULTRA-LOW POWER WITH 5 YEARS BATTERY

Ultra-low power sensing technology from Daviteq with Ultra-low power wireless technology allow the sensor can operated up to 5 years with 02 x AA batteries



HIGH ACCURACY & STABLE

Advanced ultrasonic sensor with digital signal processing to deliver high accuracy and stable measurement of level or distance for solid surface of waste



OUTDOOR & EASY CLEANING

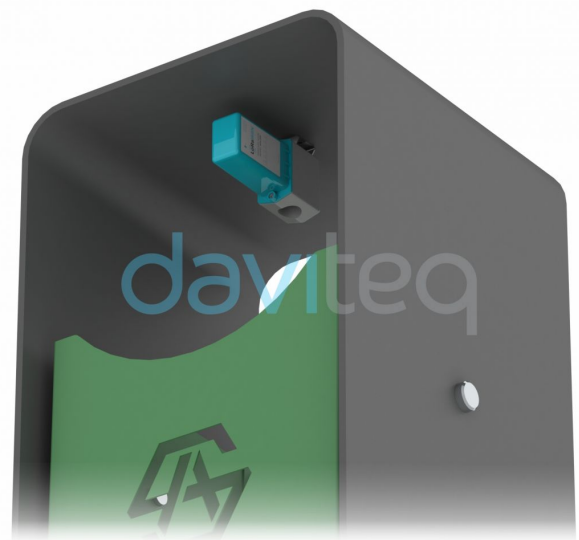
IP67 design for both Indoor and Outdoor applications and easy cleaning



SUPPORT MULTIPLE TYPE OF INSTALLATION

Sensor comes with mounting accessories to allow installation inside or outside of bin, in horizontal or vertical direction

LEVEL SENSOR INSTALLED IN THE TRASH BIN



WSSFC-ULB-H2.JPG

DAVITEQ TECHNOLOGIES INC

No.11 Street 2G, Nam Hung Vuong Res., An Lac Ward, Binh Tan Dist., Ho Chi Minh City, Vietnam

+84.28.6268.2523 / 6268.2524

info@daviteq.com

www.daviteq.com

SEP-2021 | Doc No: WSSFC-ULB-DS-EN-10

1/4

SPECIFICATION

SENSORS SPECIFICATION:	
Sensor	Ultrasonic sensor
Measurement range	300 .. 4500 mm
Resolution & accuracy	1.0mm, +/- 10 mm
Sensor sampling rate	configurable from 10s up to 3600s
Alarm setting	setting the alarm threshold for calculated value
Sigfox SPECIFICATION:	
Sigfox zones	select RC1-RC2-RC4
Antenna	Internal Antenna 2 dbi
Configuration	via Downlink or offline USB cable (PC software is supplied at free)
Battery	02 x AA Type 1.5VDC
RF Module complies to	CE, FCC, ARIB
Working temperature	-40°C..+60°C (using Energizer Lithium Ultimate AA battery)
Dimensions	H180xW50xD40
Net-weight	250 grams
Housing	Polycarbonate & POM plastic, IP67

LEVEL SENSOR INSTALLED IN THE TRASH BIN



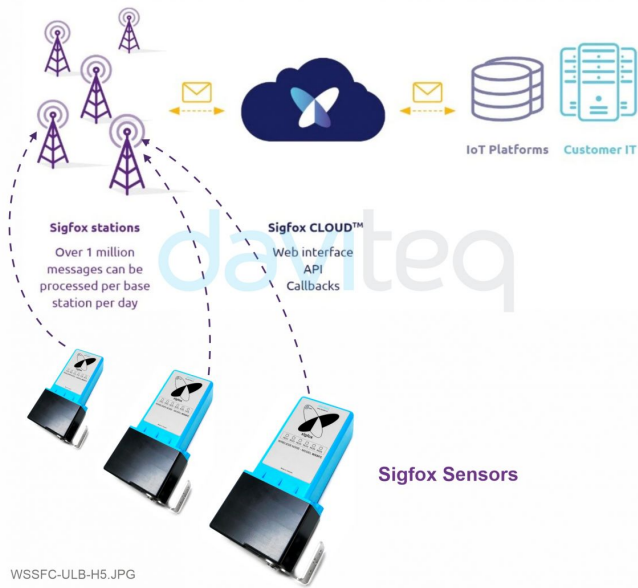
WSSFC-ULB-H3.JPG

SYSTEM ARCHITECTURE

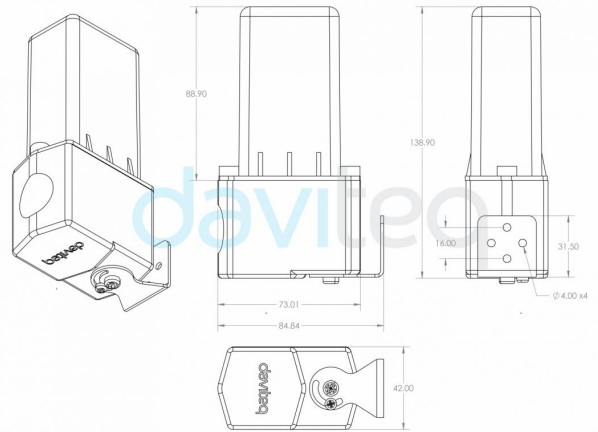


WSSFC-ULB-H4.JPG

SYSTEM ARCHITECTURE



DIMENSION DRAWING OF WIRELESS SENSOR



RECOMMENDED BATTERIES FOR SIGFOX SENSOR

L91 AA Lithium battery



- 40 .. + 60 oC working temperature
- 20-year shelf life
- 3500 mAh Capacity
- Price: 3.5X

WSSFC-ULB-H7.JPG

BLANK

WSSFC-ULB-H8.JPG

ORDERING INFORMATION

ITEM CODE	DESCRIPTIONS
WSSFC-ULB-8-01	Wireless Sigfox Ultrasonic Level Sensor for Trash bin, Internal antenna, 4500mm range, Type AA battery 1.5VDC, IP67, RC1 zone
WSSFC-ULB-9-01	Wireless Sigfox Ultrasonic Level Sensor for Trash bin, Internal antenna, 4500mm range, Type AA battery 1.5VDC, IP67, RC2-RC4 zones

DAVITEQ TECHNOLOGIES INC

No.11 Street 2G, Nam Hung Vuong Res., An Lac Ward, Binh Tan Dist., Ho Chi Minh City, Vietnam

+84.28.6268.2523 / 6268.2524

info@daviteq.com

www.daviteq.com

SEP-2021 | Doc No: WSSFC-ULB-DS-EN-10