

LORAWAN TILT SENSOR

SKU: WSLRW-AG

LoRaWAN TILT SENSOR
WSLRW-AG

LoRaWAN



WSLRW-AG-H1.PNG

WSLRW-AG is LoRaWAN Tilt Sensor, can be used to measure 3 tilt angles X, Y, Z of any object as Tower, Building, Tree, Electricity Tower, Telecom Tower, Bridges... The Tilt sensor utilises the combination of advanced Accelerometer and Gyro meter to deliver high accuracy and stable measurement of Tilt angle of 03 axis X,Y,Z. With Ultra-low Power design and smart firmware allow the sensor can last up to 10 years with 02 x AA-type battery (depends on configuration). The sensor will transmit data in kilo-meters distance to LoRaWAN gateway, any brand on the market.

✓ LORAWAN COMMUNICATION

LoRaWAN communication standard to allow sensor connect to any LoRaWAN Gateway on the market.

✓ 10 YEAR BATTERY

Ultra-low power sensing technology from Daviteq with Ultra-low power wireless technology allow the sensor can last up to 10 years with 02 x Type AA batteries.

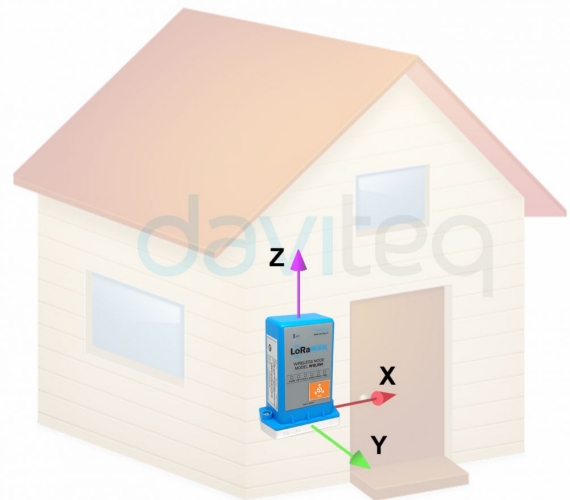
✓ HIGH ACCURACY & STABLE

Advanced Accelerometer with Gyro meter to deliver high accuracy and stable measurement of Tilt angle of 03 axis X,Y,Z.

✓ IP68

For both indoor and outdoor applications

TILT SENSOR INSTALLED ON THE WALL



WSLRW-AG-H2.PNG

DAVITEQ TECHNOLOGIES INC

No.11 Street 2G, Nam Hung Vuong Res., An Lac Ward, Binh Tan Dist., Ho Chi Minh City, Vietnam

+84.28.6268.2523 / 6268.2524

info@daviteq.com

www.daviteq.com

SEP-2021 | Doc No: WSLRW-AG-DS-EN-10

SPECIFICATION

SENSORS SPECIFICATION:	
Tilt Sensor	Built-in advanced accelerometer and gyro meter to deliver tilt angle measurement of X, Y, Z
Measurement range	± 90° of XYZ
Repeatability	± 0.25°
Sensor sampling rate	1Hz max
Alarm setting	setting the alarm threshold for each angle
LoRaWAN SPECIFICATION:	
Data rate	250bps .. 5470bps
Antenna	Internal Antenna 2.67 dbi
Battery	02 x AA size 1.5VDC, battery not included
RF Frequency and Power	860..930Mhz, +14 .. +20 dBm, configurable for zones: EU868, IN865, RU864, KR920, AS923, AU915, US915
Protocol	LoRaWAN
Data sending modes	interval time, alarm occurred and manually triggering by magnetic key
RF Module complies to	ETSI EN 300 220, EN 303 204 (Europe) FCC CFR47 Part15 (US), ARIB STD-T108 (Japan)
Vietnam Type Approval	
Working temperature	-40oC..+60oC (with AA L91 Energizer)
Dimensions	H106xW73xD42
Net-weight	190 grams
Housing	Aluminum + Polycarbonate plastic, IP67

TILT SENSOR INSTALLED ON THE TREE



WSLRW-AG-H3.PNG

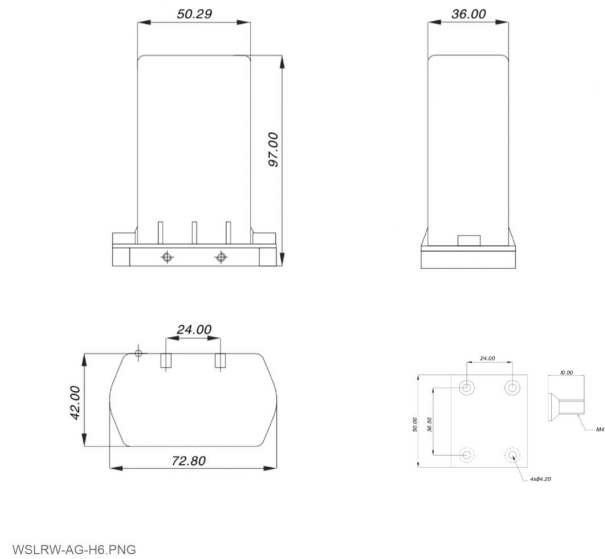
TILT SENSOR FOR CRANE MONITORING



WSLRW-AG-H4.PNG



DIMENSION DRAWING OF WIRELESS SENSOR



RECOMMENDED BATTERIES FOR LoRaWAN SENSOR

E91 AA Alkaline battery



-18 .. + 60 oC working temperature
 10-year shelf life
 3000 mAh Capacity
 Price: 1X

L91 AA Lithium battery



-40 .. + 60 oC working temperature
 20-year shelf life
 3500 mAh Capacity
 Price: 3.5X

WSLRW-AG-H7.PNG



ORDERING INFORMATION

ITEM CODE	DESCRIPTIONS
WSLRW-AG-8-01	Wireless LoRaWAN XYZ Tilt sensor, Internal antenna, Type AA battery 1.5VDC, IP68, 860-870 Mhz for EU868, IN865, RU864
WSLRW-AG-9-01	Wireless LoRaWAN XYZ Tilt sensor, Internal antenna, Type AA battery 1.5VDC, IP68, 900-930 Mhz for KR920, AS923, AU915, US915

DAVITEQ TECHNOLOGIES INC

No.11 Street 2G, Nam Hung Vuong Res., An Lac Ward, Binh Tan Dist., Ho Chi Minh City, Vietnam

+84.28.6268.2523 / 6268.2524

info@daviteq.com

www.daviteq.com

SEP-2021 | Doc No: WSLRW-AG-DS-EN-10