



For Quick and Easy Measurement of Water Samples in Field Applications

AquaSearcher AP50MM multi-function portable Photometer is designed intuitively to provide fast, reliable colorimetric and turbidity measurements. Its rugged single-handed design makes it perfect for field applications and the carrying case holds all test accessories. The AP50MM allows user to pre-program testing parameters to increase efficiency.

Unique Features:

- Fast and reliable tests – AP50MM is equipped with a real-time dynamic display for each measurement, to provide fast, reliable results. It can record up to 30 000 datapoints with time and date stamp.
- Intuitive operation – built-in calibration curves provide automatic selection of appropriate wavelengths from the long-lasting LED light source. Store commonly used tests for efficient field use.
- User-Friendly – large, backlit display makes it easier to read real-time results. Comes with a hard-shell carrying case with all accessories needed to perform tests in the field.

AQUASEARCHER™ Photometers

Specifications

Model	a-AP50MM
Source Lamp	Light Emitting Diode (LED)
Fixed wavelength	365,0 nm; 420,0 nm; 455,0 nm; 525,0 nm; 560,0 nm; 570,0 nm; 630,0 nm
Wavelength accuracy	± 1,0 nm
Wavelength Selection	Automatic
Photometric Accuracy	± 0,005 Abs @1,0 Abs Nominal
Photometric Measuring Range	0 – 1,0 Abs
Turbidity Excitation Wavelength	White and IR LED
Turbidity Optical System	Nephelometric (90° scattered light)
Turbidity Measuring Range	0 – 200 NTU
Turbidity Reproducibility	1 NTU
Turbidity Detection Limit	1 NTU
Sample Cell Compatibility	Round Ø24 mm; Round Ø16 mm with adapter
Data Storage	30 000 Group with Date, Time
Display	Backlit Graphical LCD, 160 × 240 pixels
Power	4 AA (LR6) Batteries (Included)
Battery Life	6 months (typical) @25 readings a week
Working Environment (metric)	4 – 41 °C , 85% RH, non-condensing
Working Environment (imp.)	40 – 106 °F, 85% RH, non-condensing
Storage Temperature	-18 – 60 °C (0 – 140 °F)
Dimensions (L x W x H)	265 × 88 × 62 mm
Net Weight (imp.)	1,32 lbs (Basic unit)
Net Weight (metric)	0,6 kg (Basic unit)
Approvals	CE marked / RoHS Compliant

Packages

Available in two configurations

a-AP50MM-B
30853394
(1) a-AP50MM-B Photometer

a-AP50MM-F
30853393
(1) a-AP50MM-B Photometer (4) AA Batteries (2) 24 mm replacement vials, 10 mL (2) 24 mm replacement vials, 25 mL (1) COD Adapter, for a-AP50MM (1) Briefcase AQUASEARCHER

Other Features and Equipment

- **Application Mode:** Multiparameter colorimetric and turbidity measurement
- **Additional Features:** EPA180.1.

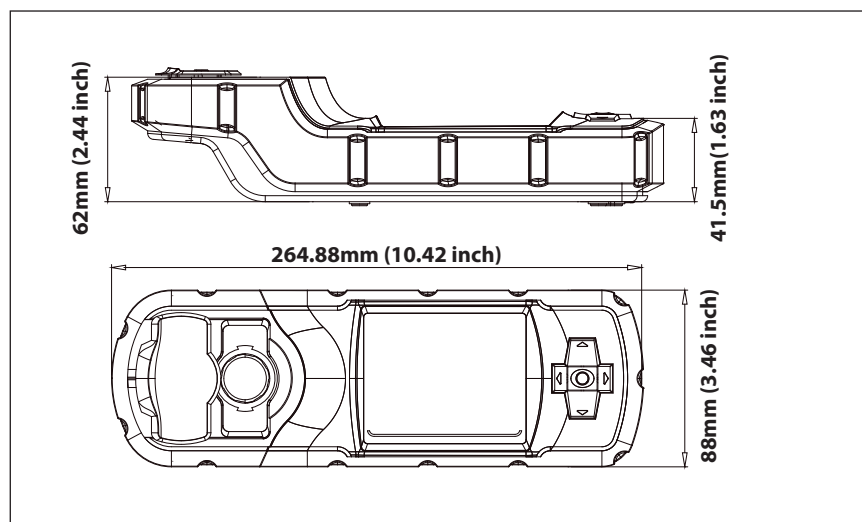
Accessories

24 mm replacement vials pk/6, 10 ml	30853486
24 mm replacement vials pk/6, 25 ml	30853487
COD Adapter, for a-AP50MM	30853488
Briefcase AQUASEARCHER.....	30744416
Cleaning brush pk/5	30727772
Cloth pk/4	30727773
Screwdriver pk/2	30727774
Cylinder 5 ml pk/2	30727776

Compliance

- **Metrology:** CE / FCC CLASS-A

Outline Dimensions



OHAUS Europe GmbH

e-mail: ssc@ohaus.com
Tel: 0041 22 567 53 19
e-mail: tsc@ohaus.com
Tel: 0041 22 567 53 20

www.ohaus.com

The management system governing the manufacture of this product is ISO 9001:2015 certified.

