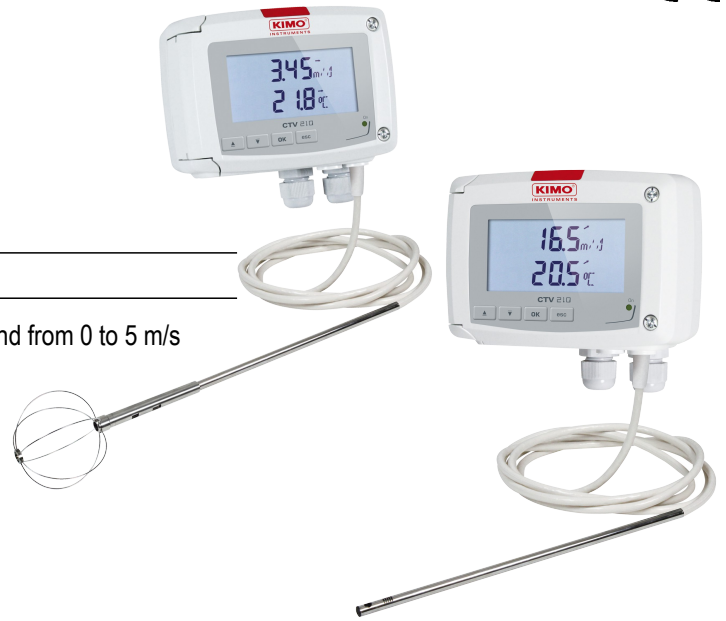


Air velocity and temperature transmitter

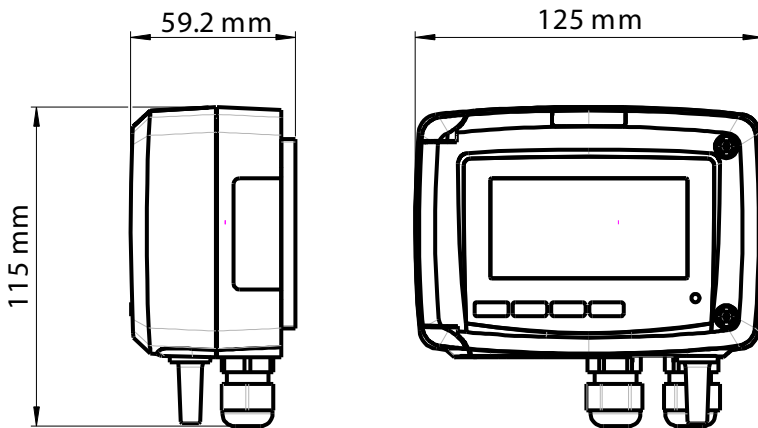
CTV 210



KEY POINTS

- Configurable ranges from 0 to 30 m/s (model with hot wire probe) and from 0 to 5 m/s (model with omnidirectional probe)
- Configurable range from 0 to 50 °C in temperature
- Airflow function
- 4 wires analogue output 0-5/10 V or 0/4-20 mA
- Power supply 24 Vdc/Vac or 115/230 Vac
- Trend indicator
- ABS V0 IP65 housing, with or without display
- "¼ turn" system mounting with wall-mount plate

FEATURES OF THE HOUSING



Material : ABS V0 as per UL94

Protection : IP65

Display : 75 x 40 mm, LCD 20 digits 2 lines.

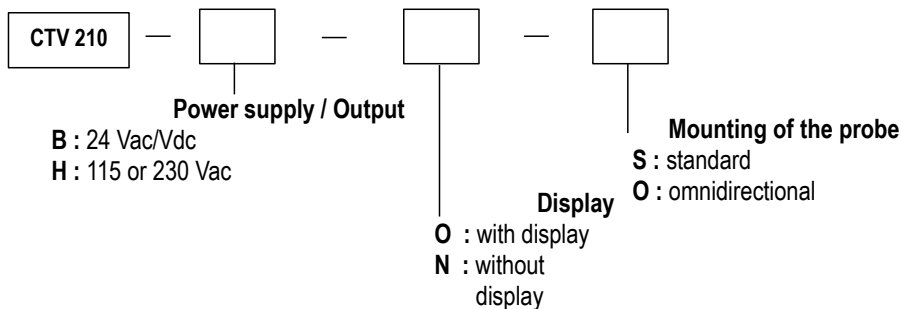
Height of digits : Values : 10 mm ; Units : 5 mm

Cable gland : For cables Ø 8 mm maximum

Weight : 320 g

PART NUMBER

To order, just add the codes to complete the part number :



Example : CTV210 - BOO300

Air velocity and temperature transmitter, power supply 24 Vac/Vdc, with display and omnidirectional probe of 300 mm length.

TECHNICAL FEATURES IN TEMPERATURE

Measuring range	From 0 to +50 °C
Unit of measurement	°C / °F
Accuracy*	±0.3 % of reading ±0.25 °C
Response time	$T_{90} = 0.9$ second for $V_{air} = 1$ m/s
Resolution	0.1 °C / 0.1 °F
Type of sensor	Pt100 1/3 as per DIN IEC751
Type of fluid	Air and neutral gases

TECHNICAL FEATURES IN AIR VELOCITY

Measuring range	Standard model : from 0 to 30 m/s Omnidirectional model : from 0 to 5 m/s
Unit of measurement	m/s, fpm, km/h
Accuracy* (standard and omnidirectional models)	Standard model : - from 0.15 m/s to 3 m/s : ±3 % of reading ±0.03 m/s - from 3 to 30 m/s : ±3 % of reading ±0.1 m/s Omnidirectional model : from 0 to 5 m/s : ±3 % of reading ±0.05 m/s
Resolution	Standard model : from 0 to 3 m/s : 0.01 m/s and from 3 to 30 m/s : 0.1 m/s Omnidirectional model : from 0 to 5 m/s : 0.01 m/s All models : 1 fpm / 0.1 km/h
Response time	$T_{63} = 1.6$ s
Type of fluid	Clean air

*All the accuracies indicated in this technical datasheet were stated in laboratory conditions, and can be guaranteed for measurements carried out in the same conditions, or carried out with calibration compensation.

TECHNICAL FEATURES OF THE PROBES

> Hotwire probe

Material of the probe	Stainless steel 316 L
Size	Ø 8 mm, length 300 mm
Operating temperature	From 0 to +50 °C
Cable	PVC Ø4.8 mm, length 2 m

> Omnidirectional probe

Material of the probe	Stainless steel 316 L
Size	Length : 300 mm ; height : 85 mm
Operating temperature	From 0 to +50 °C
Cable	PVC Ø4.8 mm, length 2 m

FUNCTION

Class 210 transmitters have two analogue outputs which correspond to the two parameters displayed. It is possible to activate one or two outputs and for each output, to select between air velocity, temperature and air flow.

Function \ Features	Measuring ranges	Units and resolutions
Air flow*	From 0 to 100 000 m ³ /h (according to air velocity and duct dimension)	1m ³ /h – 0.1 m ³ /s 0.1l/s – 1 cfm

*Pitot tubes, Debimo blades, etc. are optional.

TECHNICAL SPECIFICATIONS

Power supply

24 Vac / Vdc ±10 %
115 Vac or 230 Vac ±10 %, 50-60 Hz

Output

2 x 4-20 mA or 2 x 0-20 mA ou 2 x 0-5 V ou 2 x 0-10 V (4 wires)
Maximum load : 500 Ohms (0/4-20 mA)
Minimum load : 1 K Ohms (0-5/10 V)

Galvanic isolation

Inputs and outputs (models 115 Vac/230 Vac)
Outputs (models 24 Vac/Vdc)

Consumption

5 VA

Electromagnetical compatibility

EN61326

Electrical connection

Screw terminal block for cable 2.5 mm²

PC communication

Kimo USB-Mini Din cable

Environment

Air and neutral gases

Type of fluid

Air and neutral gases

Operating temperature

From 0 to +50 °C

Storage temperature

From -10 to +70 °C

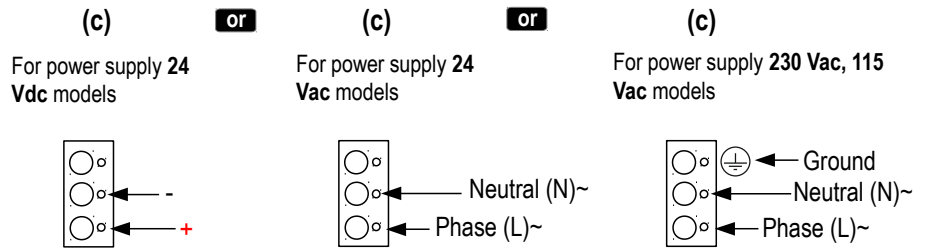
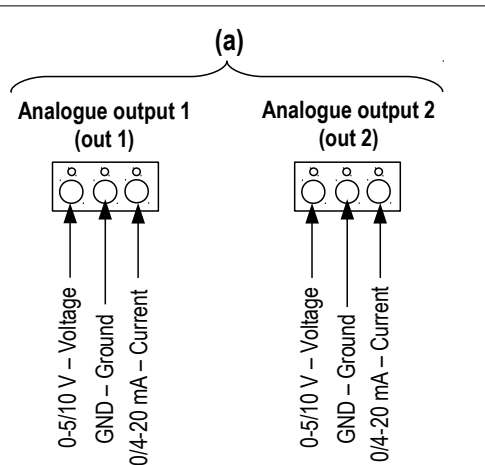
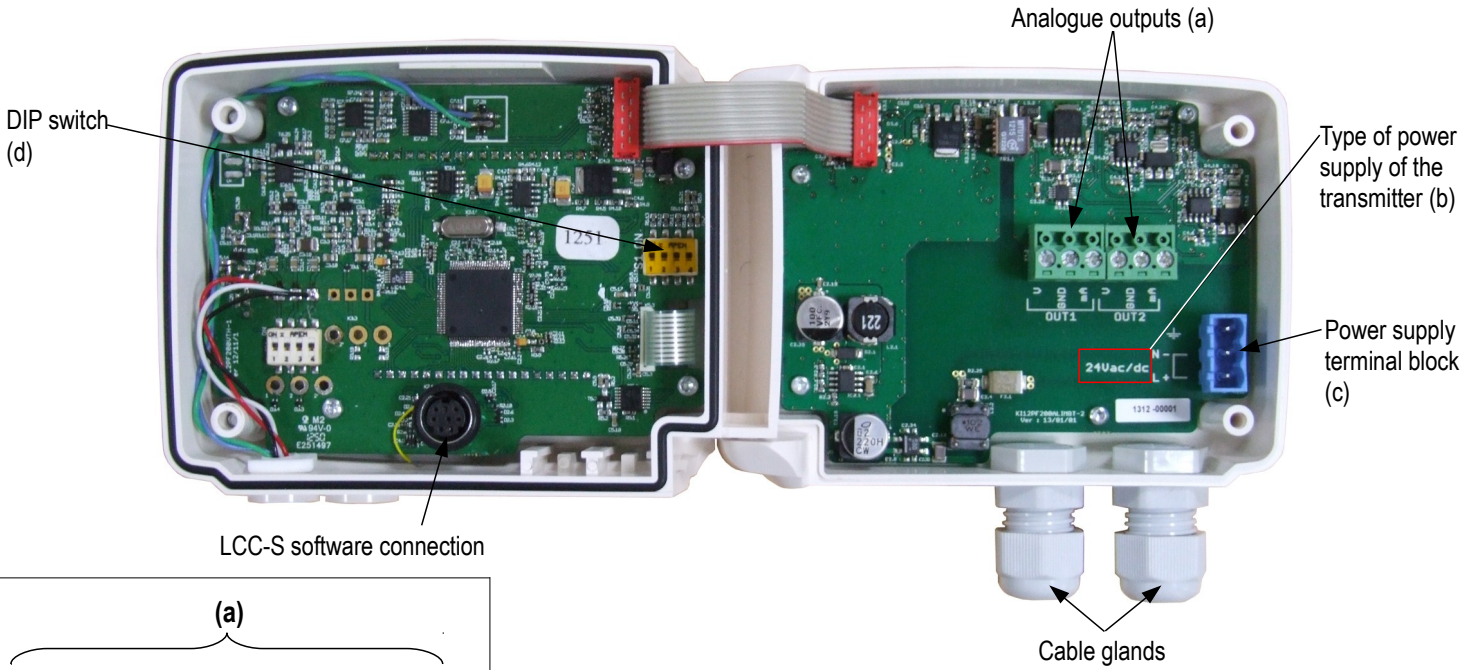


Hotwire probe



Omnidirectional probe

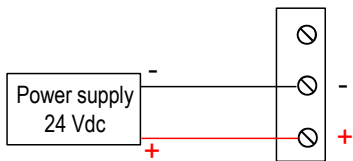
CONNECTIONS



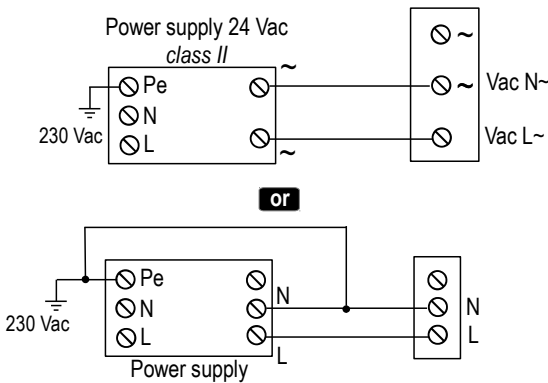
ELECTRICAL CONNECTIONS – as per *NFC15-100* standard

⚠ This connection must be made by a qualified technician. To make the connection, the transmitter must not be energized. Before making the connection, you must first check the power supply indicated on the transmitter board (see (b) on “Connections” part).

> **For transmitters with 24 Vdc power supply :**



> **For transmitters with 24 Vac power supply :**



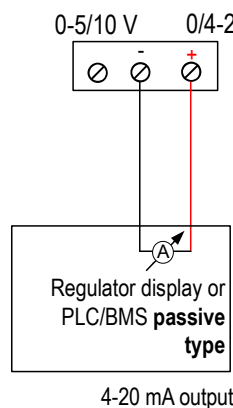
> **For transmitters with 115 or 230 Vac power supply :**



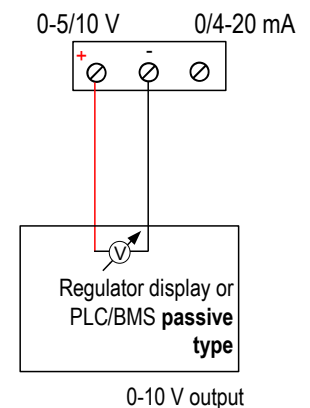
The selection of the output signal in voltage (0-10 V or 0-5 V) or in current (4-20 mA or 0-20 mA) is made via the DIP switch (d) of the electronic board of the transmitter : put the on-of switches as shown in the table below :

Configurations	4-20 mA	0-10 V	0-5 V	0-20 mA
Combinations	 1 2 3 4	 1 2 3 4	 1 2 3 4	 1 2 3 4

> **Connection of the output in current 4-20 mA :**



> **Connection of output in voltage 0-10 V :**



CONFIGURATION OF THE TRANSMITTERS

It is possible on the class 210 to configure all the parameters of the transmitter : units, measuring ranges, outputs, channels, calculation functions, etc, via different methods :

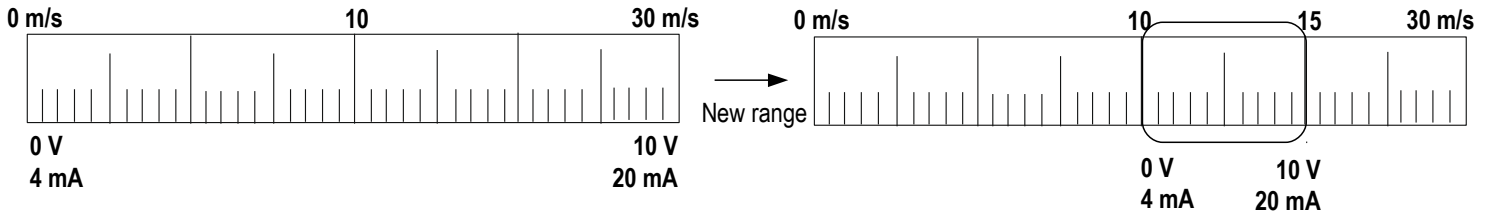
- **Via keypad** for models with display : a code-locking system allows to secure the installation (See class 210 user manual).
- **Via software** (optional) on all models. Simple user-friendly configuration. See LCC-SD user manual.

Configurable analogue output :

It is possible to configure your own intermediary ranges from 0-5 m/s to 0-30 m/s.

Caution : the minimum difference between the high range and the low range is 20.

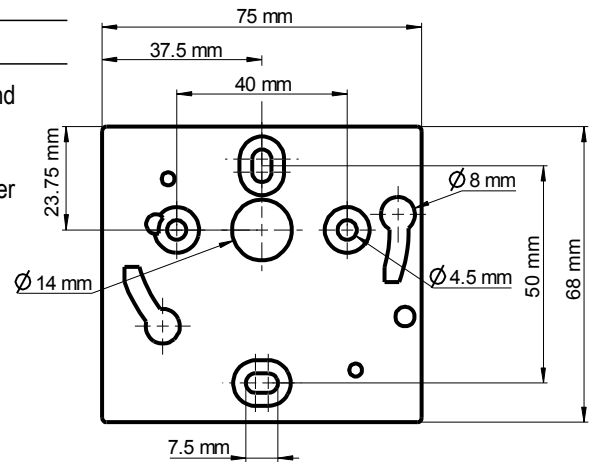
Configure the range according to your needs : outputs are automatically adjusted to the new measuring range



MOUNTING

To mount the transmitter, mount the ABS plate on the wall (drilling : $\varnothing 6$ mm, screws and pins are supplied).

Insert the transmitter on the fixing plate (see A on the drawing beside). Rotate the housing in clockwise direction until you hear a "click" which confirms that the transmitter is correctly installed.



CALIBRATION

Outputs diagnostic : With this function, you can check with a multimeter (or on a regulator / display, or a PLC / BMS) if the transmitter outputs work properly. The transmitter generates a voltage of 0 V, 5 V and 10 V or a current of 4 mA, 12 mA and 20 mA

Certificate : Class 210 transmitters are supplied with adjusting certificates. Calibration certificates are available as an option.

MAINTENANCE

Please avoid any aggressive solvent. Please protect the transmitter and its probes from any cleaning product containing formalin, that may be used for cleaning rooms or ducts.

OPTIONS AND ACCESSORIES

- **LCC-S** : configuration software with USB cable
- **Calibration certificate**
- Sliding fittings
- Mounting brackets
- Clean spray for hotwire probe

www.kimo.fr



EXPORT DEPARTMENT

Tel : + 33. 1. 60. 06. 69. 25 - Fax : + 33. 1. 60. 06. 69. 29

e-mail : export@kimo.fr

Distributed by : **Instrument Choice**

Call 1300 737 871 for expert advise.

Email: customer-service@instrumentchoice.com.au

www.instrumentchoice.com.au